

Carbide-Tipped Form Bits



Classic Cove Bits

Part Number	Radius	Cutting Diameter	Cutting Length	Shank Diameter
C3160	5/32"	1 1/4"	1/2"	1/4"
C3162	1/4"	1 3/8"	3/4"	1/4"
C3164	5/32"	1 1/4"	1/2"	1/2"
C3166	1/4"	1 3/8"	3/4"	1/2"

CB2 Bearing



Wavy Edge Bits

Part Number	Radius	Cutting Diameter	Cutting Length	Shank Diameter
C3170	1/8"	1 1/4"	3/4"	1/4"
C3172	1/8"	1-1/4"	3/4"	1/2"

CB3 Bearing



Radius Edge Bits

Part Number	Radius	Large Diameter	Overall Length	Shank Diameter
C3180	1/8"	7/8"	2 5/8"	1/4"
C3182	3/16"	1"	2 3/4"	1/4"

CB6 Bearing



Full Bead Bits

Part Number	Radius	Cutting Diameter	Cutting Length	Shank Diameter
C3190	1/8"	7/8"	3/8"	1/4"
C3192	3/16"	1"	1/2"	1/4"
C3194	1/4"	1 1/8"	5/8"	1/4"
C3196	3/8"	1 3/8"	7/8"	1/4"

CB6 Bearing



Triple Bead Bits

Part Number	Radius	Cutting Diameter	Cutting Length	Shank Diameter
C3200	1/8"	7/8"	1"	1/4"
C3202	1/8"	7/8"	1"	1/2"

CB6 Bearing



Triple Flute Bits

Part Number	Radius	Cutting Diameter	Cutting Length	Shank Diameter
C3203	1/8"	7/8"	1"	1/4"
C3204	1/8"	7/8"	1"	1/2"

CB6 Bearing



Double Round Bits

Part Number	Radius	Cutting Diameter	Cutting Length	Shank Diameter
C3205	5/32"	1 1/8"	1/2"	1/4"
C3206	1/4"	1 1/2"	11/16"	1/4"
C3207	5/32"	1 1/8"	1/2"	1/2"
C3208	1/4"	1 1/2"	11/16"	1/2"

CB3 Bearing

Carbide-Tipped Form Bits

Cove & Bead Bits



Part Number	Radius	Cutting Diameter	Cutting Length	Shank Diameter
C3209	5/32"	1 1/8"	1/2"	1/4"
C3210	1/4"	1 5/16"	5/8"	1/4"
C3211	5/32"	1 1/8"	1/2"	1/2"
C3212	1/4"	1 5/16"	5/8"	1/2"
C3282	3/8"	2"	1 3/16"	1/2"

CB3 Bearing

Ogee Fillet Bits



Part Number	Radius	Cutting Diameter	Cutting Length	Shank Diameter
C3214	3/16"	1 3/8"	5/8"	1/4"
C3215	1/4"	1 5/8"	11/16"	1/4"
C3216	3/16"	1 3/8"	5/8"	1/2"
C3218	1/4"	1 5/8"	3/4"	1/2"

CB3 Bearing

Ogee Bits



Part Number	Radius	Cutting Diameter	Cutting Length	Shank Diameter
C3220	5/32"	1 1/8"	1/2"	1/4"
C3224	1/4"	1 1/2"	11/16"	1/4"
C3222	5/32"	1 1/8"	1/2"	1/2"
C3226	1/4"	1 1/2"	11/16"	1/2"

CB3 Bearing

Classical Pattern Bits



Part Number	Radius	Cutting Diameter	Cutting Length	Shank Diameter
C3230	1/8"	1"	1/2"	1/4"
C3234	3/16"	1-1/4"	5/8"	1/4"
C3232	1/8"	1"	1/2"	1/2"
C3236	3/16"	1-1/4"	5/8"	1/2"

CB3 Bearing

Edge Beading Bits



Part Number	Radius/ Bead	Cutting Diameter	Cutting Length	Shank Diameter
C3241	3/32"/3/16"	13/16"	1/2"	1/4"
C3244	1/8"/1/4"	7/8"	9/16"	1/4"
C3248	5/32"/5/16"	15/16"	5/8"	1/4"
C3252	3/16"/3/8"	1-1/16"	5/8"	1/4"
C3256	1/4"/1/2"	1-1/4"	3/4"	1/4"
C3243	3/32"/3/16"	13/16"	1/2"	1/2"
C3246	1/8"/1/4"	7/8"	9/16"	1/2"
C3250	5/32"/5/16"	15/16"	5/8"	1/2"
C3254	3/16"/3/8"	1-1/16"	5/8"	1/2"
C3258	1/4"/1/2"	1-1/4"	3/4"	1/2"

Carbide-Tipped Form Bits



Variable Beading Bit

Part Number	Cutting Diameter	Cutting Length	Radius 1	Radius 2	Radius 3	Shank Diameter
C3273	7/8"	1 1/8"	5/32"	7/64"	1/16"	1/2"



Large Bead Bits

Part Number	Radius	Cutting Diameter	Cutting Length	Shank Diameter
C3274	5/32"	15/16"	5/8"	1/2"
C3276	3/8"	1 1/4"	1 7/16"	1/2"

CB3 Bearing



Bead & Cove Bits

Part Number	Radius	Cutting Diameter	Cutting Length	Shank Diameter
C3278	3/8"	1 1/4"	1 7/16"	1/2"

CB3 Bearing



Molding Bits

Part Number	Radius	Cutting Diameter	Cutting Length	Shank Diameter
C3280	1/4"	1 3/4"	1 1/8"	1/2"
C3281	1/4"	1 1/4"	15/16"	1/2"
C3284	3/16"	1 1/4"	13/16"	1/2"

CB3 Bearing



Taper Reed Bits

Part Number	Radius	Cutting Diameter	Cutting Length	Shank Diameter
C3286	5/32"	7/8"	1"	1/4"
C3288	5/32"	7/8"	1"	1/2"



Table Edge Bits

Part Number	Depth	Cutting Diameter	Cutting Length	Shank Diameter
C3294	1"	2 1/2"	3/4"	1/2"
C3296	1"	2 1/2"	3/4"	1/2"

CB3 Bearing



Hand Rail Bits

Part Number	Bead Diameter	Large Diameter	Cutting Length	Shank Diameter	Overall Length
C3305	1/4"	1-1/4"	2"	1/2"	4"

CB3 Bearing

With the combination of C3294 and C3305, you can make this style of handrail.

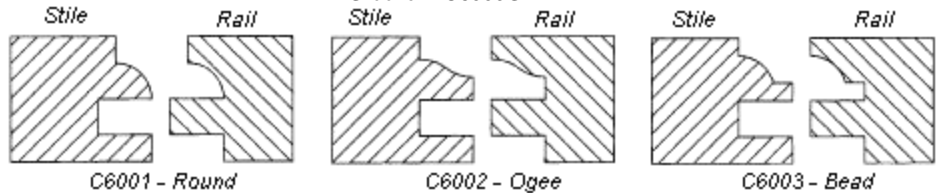
Have a different handrail in mind? Have Carolina Specialty Tool quote the router bits or shaper cutters in carbide tipped or carbide inserts. Fax or email a drawing or mail your wood sample.

Carbide-Tipped Stile & Rail Bits



Part Number	Cutting Diameter	Cutting Depth	Pattern	Shank Diameter
C6001	1 5/8"	1"	Round	1/2"
C6002	1 5/8"	1"	Ogee	1/2"
C6003	1 5/8"	1"	Bead	1/2"

Bearing - CB5
Shim Kit - CSK012
Groover - C6000G



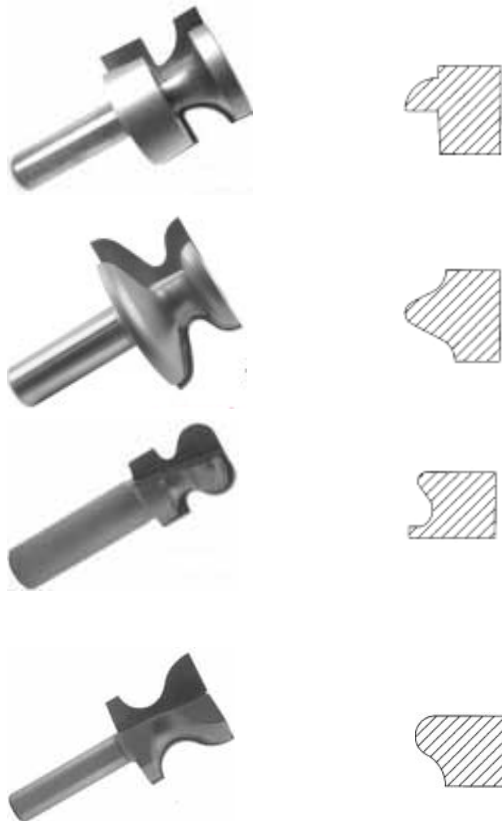
Carbide-Tipped Double Stile & Rail Bit



Part Number	Cutting Diameter	Cutting Depth	Pattern	Shank Diameter
C6007	1 5/8"	3/8"	Ogee	1/2"

Bearing - CB5
Shim Kit - CSK012

Carbide-Tipped Door Edge, Door Pull & Window Sill Bits



Recessed Door Edge Bit

Part Number	Cutting Diameter	Cutting Length	Shank Diameter
C6010	1 1/2"	1 3/16"	1/2"

European Door Edge Bit

Part Number	Large Diameter	Small Diameter	Shank Diameter
C6016	1 3/4"	5/8"	1/2"

Drawer Pull Bits

Part Number	Radius	Cutting Diameter	Cutting Length	Shank Diameter
C6024	3/16"	3/4"	7/8"	1/2"
C6026	1/4"	1 1/2"	7/8"	1/2"

Window Sill Edge Bits

Part Number	Radius	Cutting Diameter	Cutting Length	Shank Diameter
C6045	7/32"	1 1/4"	13/16"	1/2"
C6046	3/8"	1 7/16"	1 1/8"	1/2"

These bits can also be used for drawer pulls.

Carbide-Tipped Slotting Cutters



All cutters are 1 7/8" diameter x 5/16" bore.

Slotting Cutters Only			Kerf	
2 wings	3 wings	4 wings	Decimal	Fractional
TO2062	TO3062	TO4062	.062"	1/16"
-	TO3070	TO4070	.070"	n/a
TO2078	TO3078	-	.078"	5/64"
-	TO3080	TO4080	.080"	n/a
TO2093	TO3093	TO4093	.093"	3/32"
-	TO3110	-	.110"	7/64"
TO2125	TO3125	TO4125	.125"	1/8"
TO2157	TO3157	TO4157	.157"	4mm
TO2187	TO3187	TO4187	.187"	3/16"
-	TO3218	-	.218"	7/32"
TO2250	TO3250	TO4250	.250"	1/4"
-	TO3281	TO4281	.281"	9/32"

Specials sizes available, call for quote.

Topmaster® Machine - D

2 Wing Cutters
2 1/2" Diameter x 3/8" bore

Part Number	Kerf	
	Decimal	Fractional
CTO2060	.060"	n/a
CTO2070	.070"	n/a
CTO2080	.090"	n/a
CTO2100	.100"	n/a
CTO2110	.110"	n/a
CTO2120	.120"	n/a
CTO2125	.125"	1/8"
CTO2130	.130"	n/a
CTO2140	.140"	n/a
CTO2150	.150"	n/a
CTO2160	.160"	n/a
CTO2170	.170"	n/a
CTO2180	.180"	n/a



Arbors for Slotting Cutters - A

Part Number	Shank Diameter	Arbor Diameter	Arbor Length	Overall Length
CAR250	1/4"	5/16"	7/8"	2 3/8"
CAR375	3/8"	5/16"	7/8"	2 3/8"
CAR500	1/2"	5/16"	7/8"	2 3/8"
*CAR500-1716	1/2"	5/16"	1 7/16"	3 1/16"

Add A to the end of part number for arbor with bearing CB5.

*T&G Assembly



4 & 6 Wing Drawer Slot Cutters - B

1 1/4" Diameter x 3/8"-24 thread for Jemco® machine.

Part Number	Wings	Kerf	
		Decimal	Fractional
TOJ4187	4	.187"	3/16"
TOJ4250	4	.250"	1/4"
TOJ6187	6	.187"	3/16"
TOJ6250	6	.250"	1/4"
TOJ6281	6	.281"	9/32"

Arbors for Jemco® Slot Cutters - C

Part Number	Shank	Overall Length
C6890	1/4"	2"
C6891	3/8"	2"
C6896	1/2"	2"



Steel Router Collets - E

Part Number	Inside Diameter	Outside Diameter	Overall Length
C6390	1/8"	1/2"	1 1/4"
C6395	3/16"	1/2"	1 1/4"
C6400	1/4"	1/2"	1 1/4"
C6401	5/16"	1/2"	1 1/4"
C6402	3/8"	1/2"	1 1/4"
C6403	10MM	1/2"	1 1/4"



Carbide-Tipped Face Frame Bits



Part#	Description	Diameter	Pilot Drill	OAL
SFFB700	Complete Assembly	3/8"	#29	4
SFFB800	Complete Assembly	3/8"	#29	4
SFFB710	#29 Pilot Drill Only			
SFFB720	Replacement Set Screw			

For: Evans®, Ritter®, Unique®, Marcon® and Norfield® face frame machines.

Carbide-Tipped 3 Wing Bits

CAUTION: To be used in drill press, milling machine or boring machine only.



All bits have 1/2" shank and are 6" overall long.

Part#	Diameter	Part#	Diameter
CDR290	1/2"	CDR370	1 5/8"
CDR295	9/16"	CDR380	1 3/4"
CDR305	5/8"	CDR390	1 7/8"
CDR303	1 1/16"	CDR400	2"
CDR300	3/4"	CDR410	2 1/8"
CDR310	7/8"	CDR413	2 1/4"
CDR320	1"	CDR414	2 3/8"
CDR325	1 1/16"	CDR415	2 1/2"
CDR330	1 1/8"	CDR424	2 15/16"
CDR340	1 1/4"	CDR425	3"
CDR350	1 3/8"	CDR430	3 1/4"
CDR360	1 1/2"	CDR440	3 3/4"

Special sizes available - call for pricing.

Add "F" to end of part number for 1 flat on shank.

Add "F3" to end of part number for 3 flats on shank.

Carbide-Tipped Multi-Spur Bits



All bits have 1/2" shank and are 6" overall long, unless otherwise noted.

Part#	Diameter	Part#	Diameter
CMS300	3/4"	CMS400	2"
CMS305	13/16"	CMS411	2 1/8"
CMS310	7/8"	CMS413	2 1/4"
CMS315	15/16"	CMS414	2 3/8"
CMS321	1"	CMS415	2 1/2"
CMS325	1 1/16"	CMS420	2 5/8"
CMS330	1 1/8"	CMS425	2 3/4"
CMS335	1 3/16"	CMS430	2 7/8"
CMS340	1 1/4"	CMS435	3"
CMS345	1 5/16"	CMS440-34	3 1/8"
CMS350	1 3/8"	CMS440	3 1/8"
CMS355	1 7/16"	CMS445-34	3 1/4"
CMS360	1 1/2"	CMS445	3 1/4"
CMS365	1 9/16"	CMS450-34	3 1/2"
CMS370	1 5/8"	CMS450	3 1/2"
CMS375	1 11/16"	CMS455-34	3 3/4"
CMS380	1 3/4"	CMS455	3 3/4"
CMS385	1 13/16"	CMS460-34	4"
CMS390	1 7/8"	CMS460	4"
CMS395	1 15/16"		

*3/4" shank